



BACKSAFE
mining

1300 305 314

STURGO®

Wire Bin Trolleys



Usage

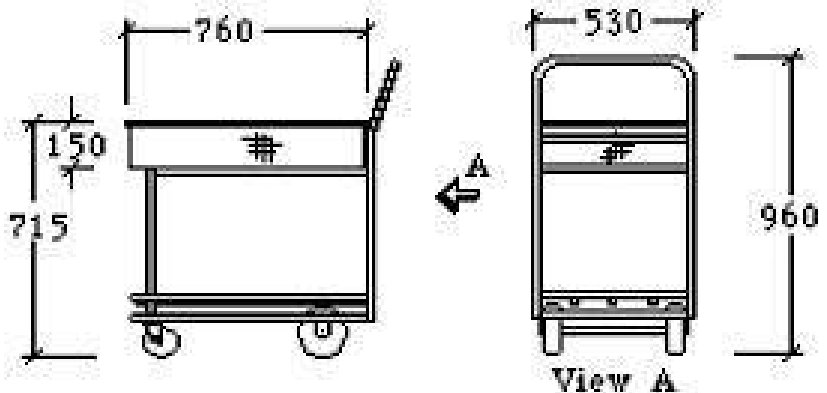
Perfect for a wide range of uses including office, light industrial and hospitality environments. Please see individual trolley specifications.

Specifications

Model 11720020 (shown below)

External Dimensions: 760mm x 530mm x 960mmH

Features: 2 swivel 125mm castors and 2 fixed 200mm wheels, grey powder coat finish, shelf over the wheels set below the edge of the frame so that this space can be used and boxes do not fall off.



11720020



BACKSAFE
mining

1300 305 314



11720021

Model 11720021 (shown left)

External Dimensions: 760mm x 460mm x 960mmH

Basket Dimensions: 760mm x 460mm x 300mmH

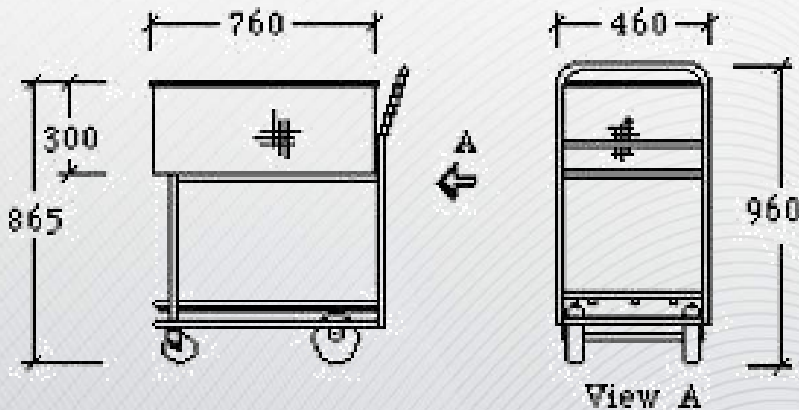
Features: 2 swivel 125mm castors and 2 fixed 200mm wheels, grey powder coat finish, shelf over the wheels set below the edge of the frame so that this space can be used and boxes do not fall off.

Model 11720023 (shown below)

External Dimensions: 760mm x 460mm x 960mmH

Basket Dimensions: 760mm x 460mm x 300mmH

Features: 2 swivel 125mm castors and 2 fixed 200mm wheels, grey powder coat finish, shelf over the wheels set below the edge of the frame so that this space can be used and boxes do not fall off.



11720021 & 11720023



11720023

Model 11720025 (shown over page)

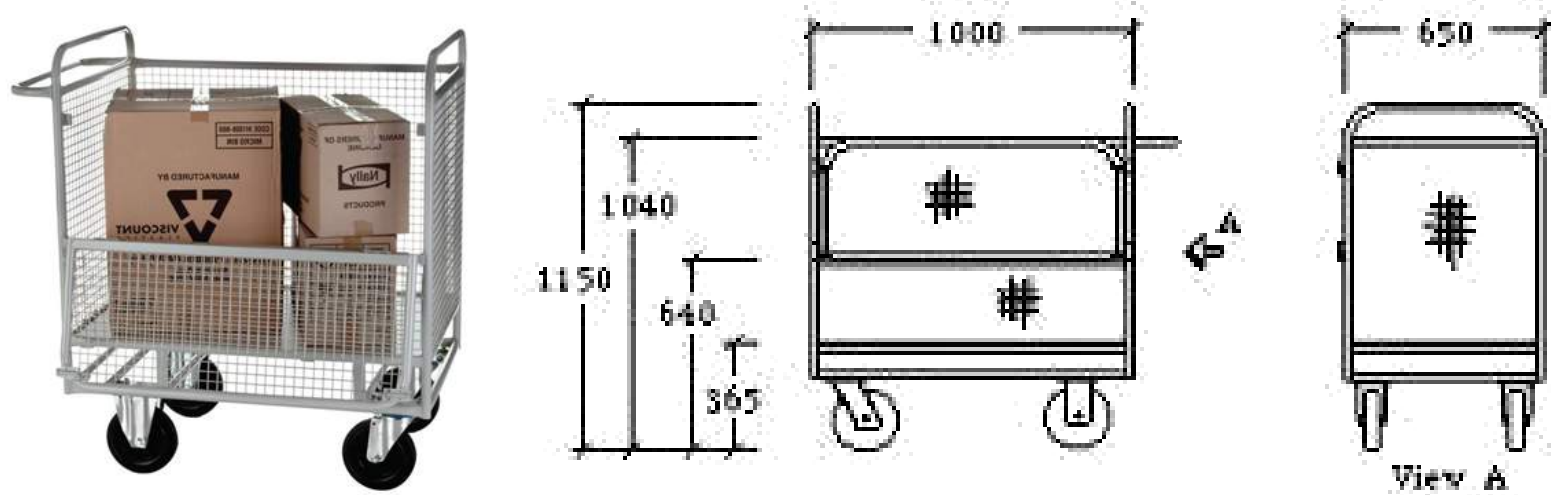
External Dimensions: 1000mm x 650mm x 1150mmH

Basket Dimensions: 990mm x 640mm x 675mmH

Base: 365mm from floor height

Drop Side Gate Dimensions: 990mmL x 400mmH

Features: 2 swivel 200mm castors and 2 fixed 200mm wheels, grey powder coat finish, 16mm thick melamine floor base



11720025

*All dimensions are approximate and subject to vary slightly due to the manufacturing process.